



CHUTE SYSTEM "Fire Rated" DOORS

WCC SUPPLIES & INSTALL A VARIETY OF STANDARD CHUTE DOORS
BOTTOM (BH) & SIDE HINGED (SH) – *Various sizes available*

Garbage System - WHI



BH - Garbage "Basic"
Value Line System
Steel Baffle Mandatory - WHC

Linen Door - ULc



SH - Linen
OR "Thru the Wall" TTW
*Specialty Disposal Applications -
with extension above bins
(Image below - W Series*

Disposal System - ULc

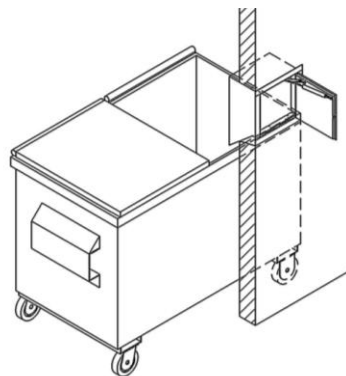


BH - VD Series – Waste OR
*Dedicated Recycling in Multi
Chute Systems - W Series*

Recycling System - ULc TTW Disposal - ULc



BH - "Lockable" Multi-Material
Resident Selector Door Panels
*Integrated to a Tri/Bi - Sorter Below
Locking Doors upgrade to "Intelli-Gen"
PLC with Touch Screen Controls! -ULC*



SH – TTW System
Lower Floor/Townhome
*Large Bins = Lower Cost
BH Doors for Small Bins -TTW*

Waste System "Low Rise" WHI



BH – Multi-Material Door –
Lower Floor/Townhome
*Door includes Selector & Sorter
Basic Diversion System. -WHI*

www.wilkinsonchutes.ca

